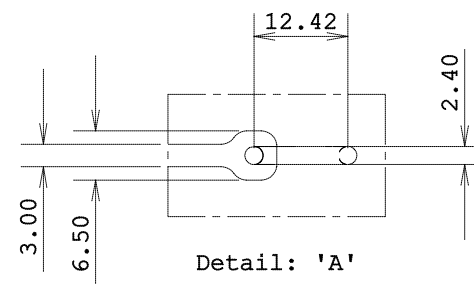
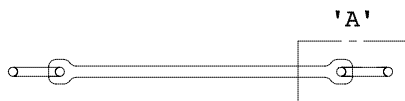
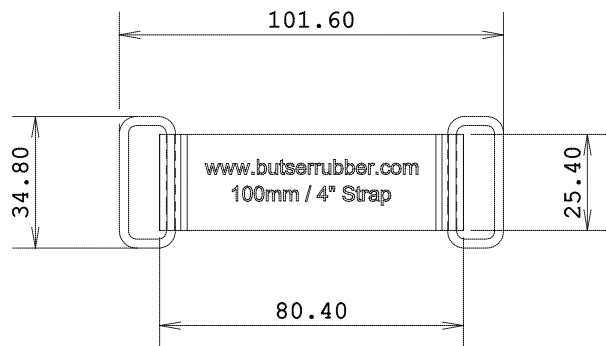
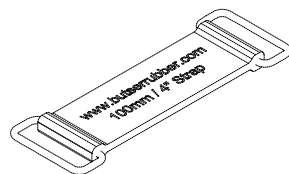



DO NOT SCALE IF IN DOUBT ASK



Detail: 'A'
Scale 1:1



PART NAME : 100MM/4" SQ.	DRAWN : G.S	PROJECT : BRL
WORKS ORDER : BRL / PO318	CHECKED : C.E	DATE : 19-11-14
 Tel: +44(0)1730 894034 Email: sales@butserubber.com Web Site: www.butserubber.com	APPROVED : C.E	TOLERANCE U.O.S 3 DECIMAL PLACES: +/- 0.10 2 DECIMAL PLACES: +/- 0.50 1 DECIMAL PLACES: +/- 1.00 0 DECIMAL PLACES: +/- 2.00
	ALL DIMENSIONS IN MM	
	SCALE : 1:2 @ A4	SHEET : 1 OF 1